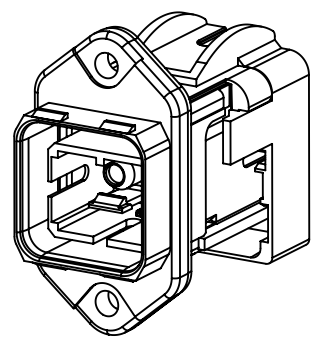



- 1 related to SCRJ coupler
- 2 related to carrier plate



	All Dimensions in mm Original Size DIN A4		Scale 1:1	Free size tol.		Ref. Sub. TB 09 35 242 0333 / 35983 / 27.04.2010	
	All rights reserved Department EC PD - DE		Created by HAGEMEYERE	Inspected by ELLERMANN	Standardisation SCHREIER	Date 2015-10-14	State Final Release
HARTING Electronics GmbH D-32339 Espelkamp			Title Han PP V14 SCRJ PFT plastic coupler			Doc-Key / ECM-Nr. 100198012/UGD/004/B 500000095256	
			Type TB	Number 09352420333		Rev. B	Page 1/1